

cMT3072XH3

7" WVA Advanced HMI



IP66 NEMA4

Key Features

- ▶ Compatible with M02 WiFi Expansion Module that supports wireless communication
- ▶ 7" 1024 × 600 LCD
- ▶ Resistive touch panel
- ▶ COM port × 3, Ethernet port × 2, USB host port × 2, microSD slot × 1
- ▶ Built-in 4 GB FLASH and 1 GB RAM
- ▶ Fan-less cooling system

Technical Specifications

Display

Display	7" Wide Viewing Angle (WVA)
Resolution	1024 × 600
Brightness (cd/m ²)	550
Contrast Ratio	800:1
Backlight Life Time	> 30,000 hrs.
Colors	16.7 M
LCD Viewing Angle (T/B/L/R)	85/85/85/85
Pixel Pitch (mm)	0.1506 (H) × 0.1432 (V)

Touch Panel

Type	4-wire Resistive Type
Accuracy	Active Area Length (X) ± 2 %, Width (Y) ± 2 %

Memory

FLASH	4 GB
RAM	1 GB

Processor

CPU	Quad-core RISC
-----	----------------

I/O Port

Memory Card Type	microSD × 1
USB Host	USB 2.0 × 2
Ethernet	LAN 1: 10/100 Base-T × 1 LAN 2: 10/100 Base-T × 1
COM Port	Con.A: COM2 RS-485 2W/4W, COM3 RS-485 2W Con.B: COM1 RS-232 4W, COM3 RS-232 2W*
WiFi	M02 WiFi Expansion Module (Optional)
RS-485 Dual Isolation	N/A
CAN Bus	N/A
Audio Output	N/A

* Only Tx & Rx (no RTS/CTS) may be used for COM1 RS-232 when COM3 RS-232 is also used.

Power

Input Power	24 ± 20 % VDC
Power Isolation	Built-in
Power Consumption	700 mA @ 24 VDC
Voltage Resistance	500 VAC (1 min.)
Isolation Resistance	Exceed 50 MΩ at 500 VDC

Mechanical

Enclosure	Plastic
Dimensions W×H×D	200.3 × 146.3 × 36 mm
Panel Cutout	192 × 138 mm

Weight	Approx. 0.6 kg
Mount	Panel Mount

Environment

PCB Coating	Yes
Protection Structure	UL Type 4X (indoor use only) / NEMA4 / IP66 Compliant Front Panel
Storage Temperature	-20° ~ 60°C (-4° ~ 140°F)
Operating Temperature	0° ~ 55°C (32° ~ 131°F)
Relative Humidity	10 % ~ 90 % (non-condensing)
Altitude	3,000 m
Vibration Endurance	10 to 25 Hz (X, Y, Z direction 2G 30 minutes)

Certificate

CE	CE Marked
UL	cULus Listed

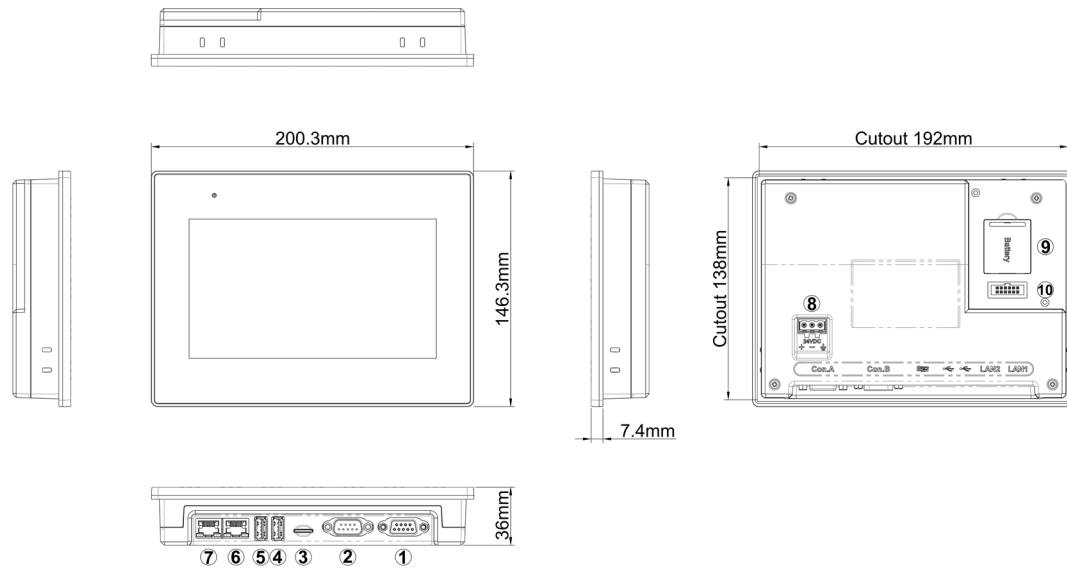
Software

EasyBuilder Pro	V6.10.01 or later versions
Weincloud	EasyAccess 2.0 (Optional), Dashboard (Optional)
CODESYS®	Optional*

* Minimum software requirement for CODESYS power-loss data persistence: CODESYS Runtime 20251124.874 or later.

* CODESYS® is a trademark of CODESYS GmbH.

Dimensions



1	Con.A: COM2 RS-485 2W/4W, COM3 RS-485 2W
2	Con.B: COM1 RS-232 4W, COM3 RS-232 2W
3	microSD Card Slot
4	USB Host
5	USB Host

6	LAN 2
7	LAN 1
8	Power Connector
9	Battery
10	Expansion Module Connector

Pin Assignment

Con.B: 9 Pin, D-sub, Male

PIN#	COM1 [RS232]4W	COM3 [RS232]2W
1		
2	RxD	
3	TxD	
4		
5	GND	
6		
7	RTS	TxD
8	CTS	RxD
9	GND	

Con.A: 9 Pin, D-sub, Female

PIN#	COM2 [RS485]2W	COM2 [RS485]4W	COM3 [RS485]2W
1	Data-	Rx-	
2	Data+	Rx+	
3		Tx-	
4		Tx+	
5	GND		
6			Data-
7			
8			
9			Data+

Part Number

【cMT3072XH3】

7" 1024 × 600 WVA LCD HMI, Built-in 4 GB FLASH / 1 GB RAM

【RP0060700】 (included in package)

7" Screen Protective Film

Optional:

M02: WiFi Expansion Module

RZACEA020: EasyAccess 2.0 Activation Card

RZ0CDS000: CODESYS License